

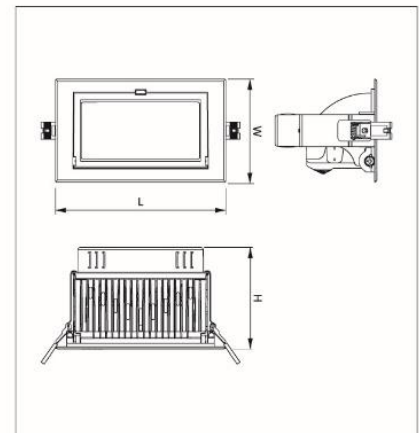
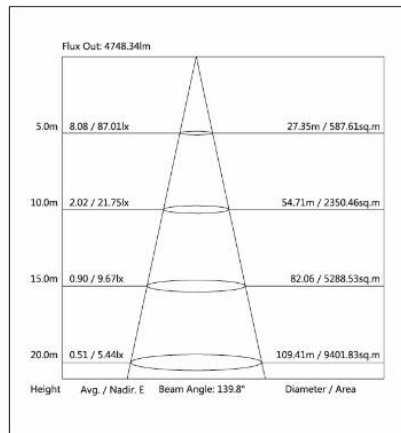
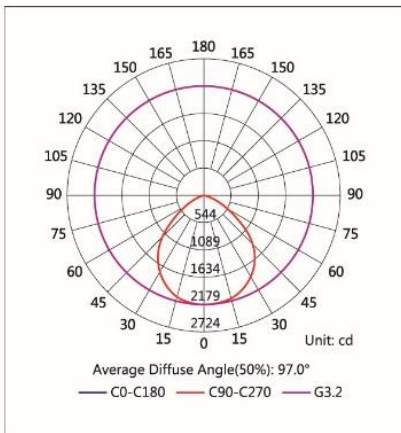


## LED Rectangular Adjustable Downlight series





Main Technical Parameters:		SMD
Input Voltage	AC100~240V	
Operating Temperature	-20~+40°C	
Installation	Recessed	
Driver	Built-out	
Beam angle	100°	

### Photometric



### Specifications

Model	Power (± 5%)	LED Chip	CCT (± 10%)	CRI (± 5%)	Luminous (± 10%)	Size	Cut Out	Weight
CFS-003-S48W	48W		2700~6500K	Ra ≥ 80	5920lm	240× 145× 143mm	215× 125mm	1.85kg
CFS-003-S60W	60W		2700~6500K	Ra ≥ 80	6220lm	240× 145× 143mm	215× 125mm	1.85kg