



SMD

LED Rectangular Adjustable Downlight series

Structure feature

1. Superior heat emission structure with patented technology and power supply configuration, in full compliance with the standard of LM-80. The light can work efficiently and safety. Lifespan more than 50000 hours. (the operating ambient temperature is 25°C)
2. Humanized rotation shaft design, 140 adjustable degree, all these features broke the traditional light using function. It can easily satisfy the adjustable irradiation angle and easy to finish different fixture position. Let the structure more security, practical and convenient.
3. Wide frame design, the embedded installation dimension is widely used in similar items. It's a easy thing for you to replace the light, no need to cut the hole once again.
4. Optimized light distribution design solution can make the optical property more excellent.
5. Compare with the traditional metal halide lamp, this light has the incomparable performance. It can replace 100W metal halide lamp at maximum, possessing incomparable performance. Ultra-low energy consumption, high optical property, ultra-long lifespan, safety and reliable are absolutely the choice of your heart.

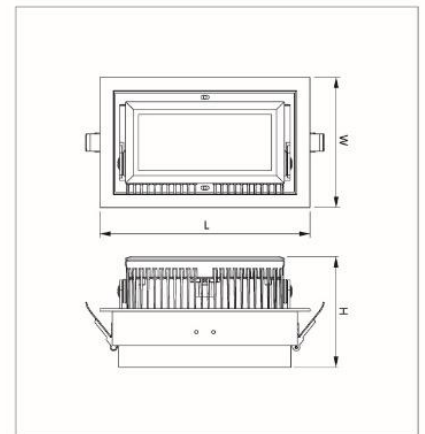
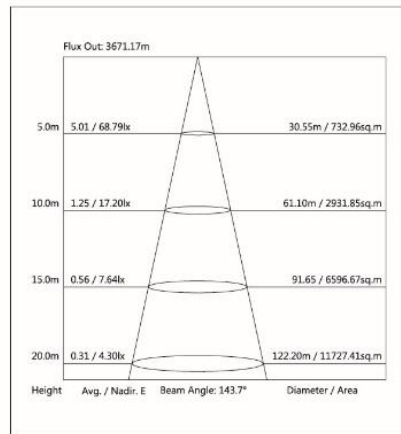
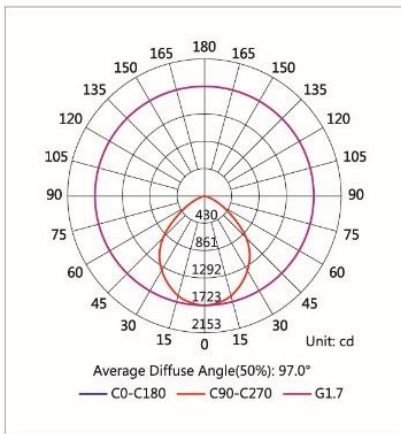
Application area

Widely used in hotels, restaurants, shopping malls, franchised stores , supermarkets, museums and so on.



Main Technical Parameters:		SMD
Input Voltage	AC100~240V	
Operating Temperature	-20~+40°C	
Installation	Recessed	
Driver	Built-out	
Beam angle	100°	

Photometric



Specifications

Model	Power (± 5%)	LED Chip	CCT (± 10%)	CRI (± 5%)	Luminous (± 10%)	Size	Cut Out	Weight
CFS-005-20W	20W	 	2700~6500K	Ra ≥ 80	1890lm	245× 152× 142mm	227× 130mm	1.95kg
CFS-005-28W	28W		2700~6500K	Ra ≥ 80	2590lm	245× 152× 142mm	227× 130mm	1.95kg
CFS-005-38W	38W		2700~6500K	Ra ≥ 80	3460lm	245× 152× 142mm	227× 130mm	1.95kg
CFS-005-48W	48W		2700~6500K	Ra ≥ 80	4310lm	245× 152× 142mm	227× 130mm	1.95kg